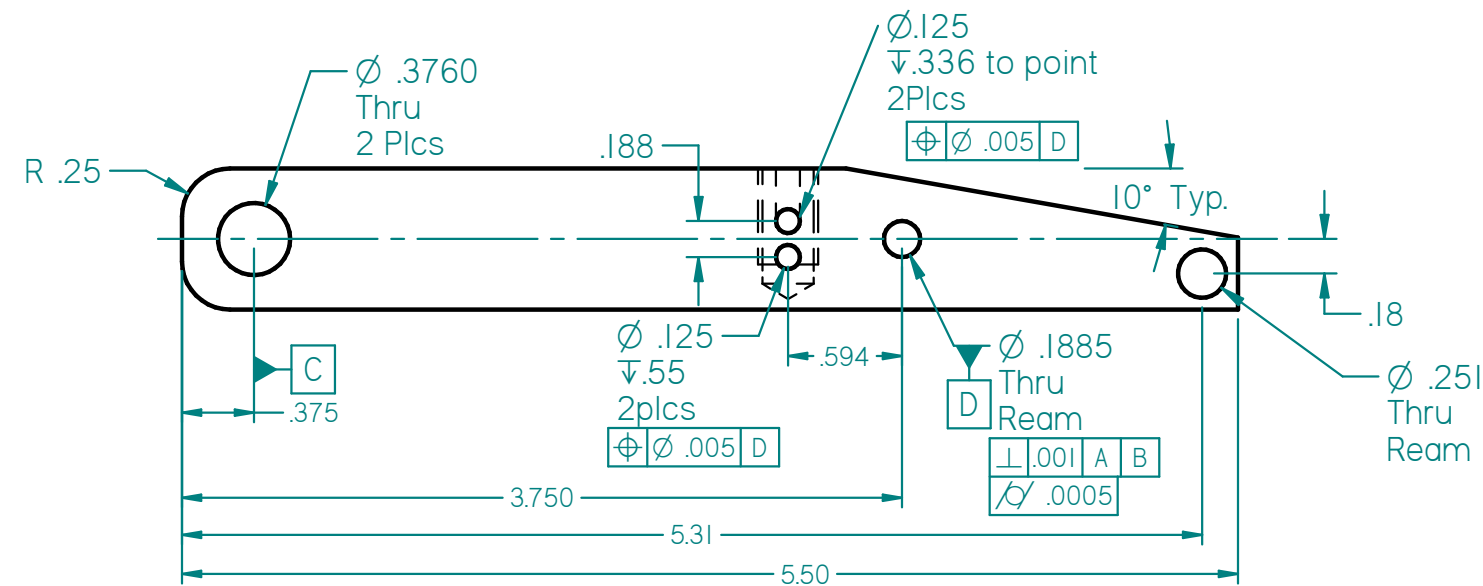


SECTION A-A

Order of operations::



Dailey's Designs

UNLESS OTHERWISE SPECIFIED
 DIMENSIONS ARE IN INCHES
 ANGLES $\pm 1^\circ$ FRACTION $\pm 1/64''$

Dragster Body

MATERIAL 3/4" x 1" Aluminum or Steel

2 PL $\pm .010$ 3 PL $\pm .005$ 4PL $\pm .0005$

Date: 7/1/2014

Qty: 1