

Notes:

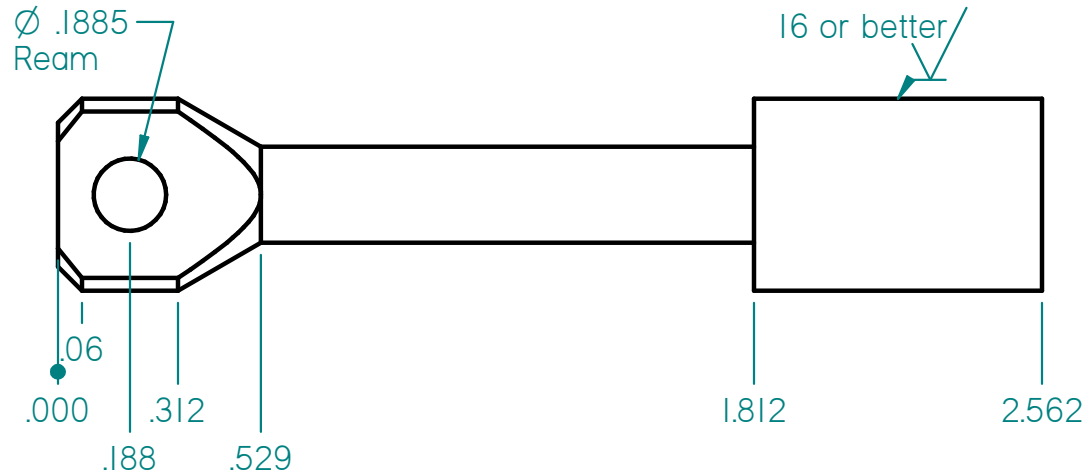
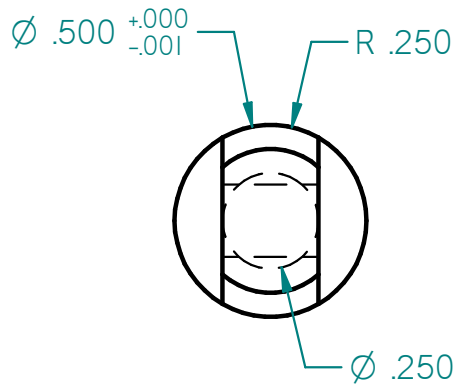
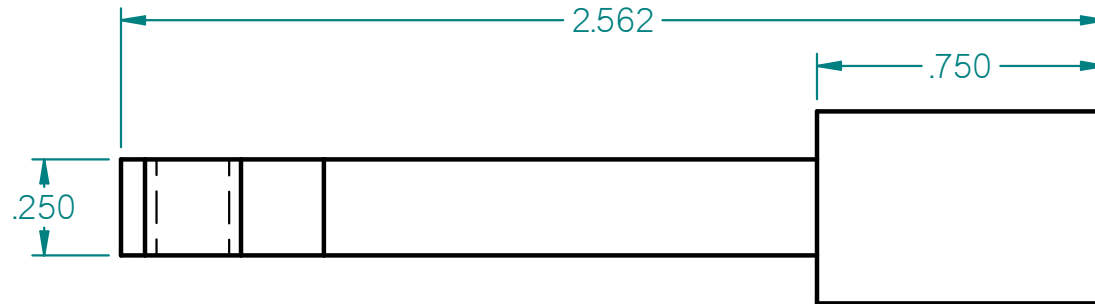
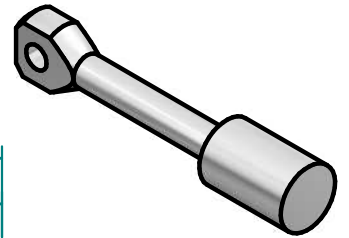
Break all corners

Protect .5 diameter

C-Drills allowed on each end

#2 max on small end

#4 max on big end



Order of operations:

Date: 6/24/2014

Qty: 2

Dailey's Designs

UNLESS OTHERWISE SPECIFIED
DIMENSIONS ARE IN INCHES
ANGLES $\pm 1^\circ$ FRACTION $\pm 1/64''$

Piston

MATERIAL Steel

2 PL $\pm .010$ 3 PL $\pm .005$ 4 PL $\pm .0005$